

Gal Flame[®]

Fire Pits

United States & Canada

Owner's Manual



1TR50001010
12/2/2025 Rev 1.3

Table of Contents

Important Safety instructions	6
Placement and Warnings	6
General Set-Up	6
Operation and Additional Warnings	7
Maintenance & Repair	7
Storage	7
Precautions With Children	7
Finding a Proper Location for the Fire Pit	8
Gas Supply Requirements for LP & NG	8
Liquid Propane Regulations	9
LP Tank Requirements & Information	9
LP Tank Enclosure	10
Natural Gas Regulations	10
State of Massachusetts	10
Placement & Installation of the Fire Pit	11
Connecting the LP Line	12
Guidance for Authorized Gas Installer.....	12
Leak Test Procedure for LP	13
Additional Set-Up Information	14
Fire Pit Decorative Materials	14
High Elevation Installations	14
Operating the Fire Pit	14
Lighting the Fire Pit for the First Time	16
Lighting Instructions for Automatic Starters	17
Turning off the LP Gas	17
Additional Notes	17
Cleaning and Maintenance	18
General Maintenance	18
Specifications and Information	19
Troubleshooting	19
Limited Warranty	22

Copyright 2026 Lloyd's Material Supply Company, Inc. All rights reserved. Duplication without written consent is strictly prohibited.

Cal Flame® is a registered trademark. Due to continuous improvement programs, all models, operation, and/or specifications are subject to change without prior notice.

LTR50001010, Rev 1.3
12/2/2025



California Proposition 65 Warnings

Warning: This product is manufactured with and contains one or more chemicals known in the state of California to cause cancer, birth defects or other reproductive harm This product and the fuels used to operate this product (propane or natural gas) can expose you to chemicals including Benzene, which is known in the state of California to cause cancer, birth defects, and other reproductive harm.

More information about Proposition 65 for California owners can be found: www.P65Warnings.ca.gov



Cal Flame fireplaces & firepits are designed for outdoor use only.



Do not store combustible materials, gasoline and any other flammable vapors and liquids. Never store disconnected gas cylinders in the vicinity of this appliance.



Warning: Improper installation, adjustment, alteration, service, or maintenance can cause injury or property damage. Read this manual thoroughly for information on installation, operation, and maintenance instructions before operating the appliance



What To Do If You Smell Gas

- Shut off the gas supply to the appliance
- Extinguish any open flame
- Do not try to light the appliance
- if odor continues, keep away from the appliance and immediately call your gas supplier or the fire department.



Carbon Monoxide Hazard

This appliance can produce carbon monoxide which has no odor. Using it in an enclosed space such as a camper, tent, car, or indoors.



Never throw any sealed container into a lit firepit, nor any flammable material or liquids.



All permanently installed natural gas or propane installations require a "T" handle type manual gas valve be installed in the gas supply line in this appliance. This does not apply to portable propane installations using a 20 pound cylinder.

STATE OF MASSACHUSETTS: Massachusetts requires all gas be installed by a plumber or gas fitter carrying the appropriate Massachusetts license.



READ ALL WARNINGS CONTAINED WITHIN THIS OWNERS MANUAL BEFORE OPERATING



Warning: Improper installation, adjustment, alteration, service, or maintenance can cause injury or property damage. Read the installation, operating, and maintenance instructions thoroughly before installing or servicing the unit.



Cal Flame fireplaces & firepits are designed for outdoor use only.



Do not store combustible materials, gasoline and any other flammable vapors and liquids. Never store disconnected gas cylinders in the vicinity of this appliance.



Warning: Improper installation, adjustment, alteration, service, or maintenance can cause injury or property damage. Read this manual thoroughly for information on installation, operation, and maintenance instructions before operating the appliance



What To Do If You Smell Gas

- Shut off the gas supply to the appliance
- Extinguish any open flame
- Do not try to light the appliance
- if odor continues, keep away from the appliance and immediately call your gas supplier or the fire department.



Carbon Monoxide Hazard

This appliance can produce carbon monoxide which has no odor. Using it in an enclosed space such as a camper, tent, car, or indoors.



Never throw any sealed container into a lit firepit, nor any flammable material or liquids.



All permanently installed natural gas or propane installations require a "T" handle type manual gas valve be installed in the gas supply line in this appliance. This does not apply to portable propane installations using a 20 pound cylinder.

STATE OF MASSACHUSETTS: Massachusetts requires all gas be installed by a plumber or gas fitter carrying the appropriate Massachusetts license.



READ ALL WARNINGS CONTAINED WITHIN THIS OWNERS MANUAL BEFORE OPERATING



Warning: Improper installation, adjustment, alteration, service, or maintenance can cause injury or property damage. **Read the installation, operating, and maintenance instructions thoroughly before installing or servicing the unit.**



READ ALL WARNINGS CONTAINED WITHIN THIS OWNERS MANUAL BEFORE OPERATING



Warning: Improper installation, adjustment, alteration, service, or maintenance can cause injury or property damage. **Read the installation, operating, and maintenance instructions thoroughly before installing or servicing the unit.**



Placement and Warnings

- Cal flame fire pits are designed for outdoor use only.
- Never locate this appliance in an enclosed room, under a sealed overhead structure, or in any type of enclosed area such as a garage, shed, or breezeway. Keep clear of trees, shrubs, or other flammable materials above or around the fireplace.
- Cal Flame fire pits are not designed to be installed in a moving fixture, this included recreational vehicles, trailers, boats, or yachts.
- Maintain a minimum distance of 24" inches (61cm) in all directions of the fireplace from flammable materials, including overhead materials such as patio covers and outdoor equipment covers.
- The area surrounding your fire pit must be clean, and free from flammable fluids or materials, such as mops, rags, plastics, gasoline, cleaning fluids, and solvents for example.
- Do not store spare LP canisters not connected to the fireplace, near or inside of the firepit.
- Do not place the firepit underneath low hanging tree branches or other flammable materials. Minimum area of 4-6 feet
- Never move, place, or lift, the firepit without assistance, the use of a dolly or cart will be needed in moving the fireplace, as the frame is made of steel, and the stone materials are very heavy.
- Some communities have residential codes with outdoor fireplaces, its highly advised to look into local regulations before installation.
- The Firepit must be placed on leveled ground, if placed in uneven ground, there can be a tip over risk. Do not place the fireplace where water can collect or pool for long periods of time.

General Set-Up

- Before installing the fire pit copy all product information from the appliances serial number plate, the back of this manual may be used to write down, serial number, fuel type, and model.
- Serial number plate is located on the perimeter of the fire pit.

- We recommend that a licensed contractor install your Cal Flame product. Installation must conform to all local codes. In absence of local codes follow the National Fuel Gas Code, ANSI Z2223.1/NFPA 54 or CAN/CGA-B149.1, Natural Gas and Propane Installation Codes.
- Keep all electrical cords and fuel supply hoses away from the front of the fireplace, chimney, and heated surfaces.
- Before using your Cal Flame Fire pit to prevent fire or smoke damage, remove all packaging materials from the fireplace before operating.
- Have a ABC powder based fire extinguisher within a reasonable proximity to the fire pit.



Operation & Additional Warnings

- Do not use the fire pit for anything other than its intended use.
- In the event that the fire pit burner goes out, turn the burner gas knob to the full off position, and allow the fire pit to "air out" do not attempt to use the fireplace until the fireplace has enough time to dissipate.
- Never use the fire pit with a damaged LP hose or with loose connections. If you smell gas, keep away from the appliance and contact the local fire department. Only attempt to shut off the propane tank valve, if the fireplace it not lit.

DANGER

What To Do If You Smell Gas

- Shut off gas/fuel to the appliance
- Extinguish any open flame.
- If gas odor persists, keep away from the appliance and contact your gas supplier or fire department.

- Never use the fire pit in windy conditions, if the unit is used in a consistently windy area, a windbreak or some landscaping will be required, in order to control windy conditions. Always adhere to the specified clearances listed in this manual.
- Never throw sealed or pressurized cans/cylinders into a lit or hot fireplace/firepit.
- When the unit is not in use, be sure to turn off the gas at the LP tank.
- Do not install your LP cylinder housing in such a manner that its cross vents are blocked. Fresh air must be able to pass through the enclosure to safeguard against residual gas accumulation. Failure to do so may cause fire or explosion.
- When handling LP gas line and connectors, do not allow them to come in contact with any metal surfaces of the cabinet. Do not drop or throw the LP connectors.
- Do not use fuel such as wood, compressed logs, charcoal briquettes, or any other non approved fuel in the fire pit.
- Gas sources to the fire pit must be regulated. Do not operate the fireplace if regulators have been removed, as a fire or explosion may occur.
- Never leave a lit fire pit unattended when in use.
- Do not use water to extinguish grease/oil fires, suffocate the flame by turning off the appliance and use a use an ABC Fire extinguisher (powder or foam) if the flame continues to grow. NEVER FIGHT AN OUT OF CONTROL FIRE. Contact your local fire department, and safely disconnect the LP cylinder if possible.
- Never allow clothing or other flammable materials come in contact with or be close to any grate, burner or hot surface until it has fully cooled. Never wear loose fitting or hanging garments when using the fire pit, this can catch fire and lead to injury or death.
- When using the fire pit, do not touch the burner, lava rocks, or glass inside of a lit fire pits burn area, or immediate surroundings, as these surfaces will be very hot causing burns.
- Do not heat any unopened or pressurized glass/ metal containers. Pressure may build up and cause the container to burst, possibly resulting in serious personal injury or damage to the fire pit.
- Do not reach over your fire pit when hot or in use.

Maintenance and Repair

- Spiders and other insects can nest in the burner of the fire pit and block the gas and air flow to the burner ports. This creates a dangerous condition that can result in a fire behind the valve panel. Inspect and clean the fireplace burner if needed with compressed air and a microfiber towel. A burner with restricted flow that can not be cleaned, must be replace.
- Unless specifically recommended in this manual, do not repair or replace any part of the fire pit. A qualified technician should perform all services. Any repairs made by a non-LMS approved dealer technician will void your warranty.
- The appliance should be visually inspected before each use, and inspected annually by a qualified service technician.
- Inspect the fuel hose connection, any cracked, damaged, or collapsed hoses must be immediately replaced before using the fireplace
- Unless specifically recommended in this manual, do not repair or replace any part of your fire pit. Have a qualified technician perform all service. Any repairs made by a non-approved technician will void your warranty.

Storage

- When your Fire pit is not in use, turn off the gas flow at the LP cylinder.
- Storage of the fire pit indoors is permissible only if the LP cylinder is disconnected and stored outdoors.
- Never leave an open flow LP cylinder connected to the unit when not in use

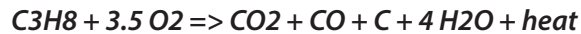
Precautions With Children

- Children should never be left alone or unattended in an area where the unit is located. Place your fireplace away from areas where children play. Do not store items that may interest a child to go near the fire pit, or the fire pit control panel.
- Never leave children unattended near the fire pit, both during operation and when not in use. Close supervision of children is necessary when in use.
- Never allow children to sit or stand on any part of the fire pit.
- When the unit is not in use, ensure that the LP cylinder valve is closed to prevent accidental activation. This will ensure that if the valve dial is turned on, no gas will leak through the burner.

Finding a Proper Location for the Fire pit

There are several considerations when determining the placement of your new fireplace. Review any applicable local regulations on regulated LP outdoor fire pits/fireplaces in your community. When planning the location, ensure there is no flammable materials above the fireplaces chimney by at least 4-6 feet. Exhaust gases from the smoke stack will be hot, and can trigger a fire if this precaution is not followed.

When determining your fire pits final location, keep any flammable materials at least 6 feet away from the front of an activated fireplace. Do not place the fireplace in an enclosed space, proper air flow is necessary. Consider the environmental factors of exposure to wind, proximity to traffic, and windows that open into the home. Avoid placing the fireplace near windows of the home/living areas, due to smoke and carbon dioxide/monoxide generated while burning propane.



Cal Flame Fire Pits are Designed for Outdoor Stationary Use Only.



California Proposition 65 Warnings

Warning: This product is manufactured with and contains one or more chemicals known in the state of California to cause cancer, birth defects or other reproductive harm. This product and the fuels used to operate this product (propane or natural gas) can expose you to chemicals including Benzene, which is known in the state of California to cause cancer, birth defects, and other reproductive harm.

More information about Proposition 65 for California owners can be found: www.P65Warnings.ca.gov



Carbon Monoxide Hazard

This appliance can produce carbon monoxide which has no odor.



Using it in an enclosed space can kill you.

Never use this appliance in an enclosed space such as a camper, tent, car, or home.

Liquid Propane



Gas Requirements and Connection

IMPORTANT: The Cal flame fire pit is manufactured to operate on liquid propane (LP), however this fireplace can be converted to operate with natural gas (NG) by an authorized technician. This fire pit does not include a regulator for converting the unit to NG; the conversion kit can be ordered separately. The part number for this kit is BBQ07101046, the kit can be ordered through www.Quickbbqparts.com or through an authorized Cal Flame dealer.

LP Tank Requirements & Information

Tank Requirements

For plumbed-in LP installation, use a convertible regulator and set it for LP gas. Maximum Line pressure for plumbed-in propane is 14" WC (3.5kPa). Minimum line pressure for propane is 11" WC. The unit must be used with the gas pressure regulator. The regulator controls and maintains a uniform gas pressure in the manifold. The burner orifices have been sized for the precise gas pressure, delivered by the regulator delivered with your fireplace.

WARNING: Attempting to operate the unit without the gas regulator may result in an explosion or risk of death.

Cylinder specifications

The LP cylinder must be constructed and marked in accordance with the *Specifications for LP-Gas Cylinders* of the US Department of Transportation or the National Standard of Canada, *CAN/CSA-B339, Cylinders, Spheres and Tubes for transportation of dangerous goods: and Commission*, as applicable.

Warning: Do not store spare LP cylinders under or near the appliance. Never fill the cylinder beyond 80%, failure to follow this warning can result in an explosion and/or fire resulting in injury or even death.

Any LP gas cylinder used with this fireplace must be approximately 12 inches in diameter (30.5cm) and 18" inches high (45.7cm).

The maximum fuel capacity of 20lbs (9.7kg) of propane 5 gallons. The full cylinder weight should be approximately 38 lbs: 43.7lbs nominal water capacity, (17.2kg : 18.8kg nominal capacity). Never fill the cylinder beyond 80% full.

If you do not have an updated filler valve on your existing propane tank, you will need to purchase one at your local hardware store. Without it you will not be able to attach your tank to your unit or refill the tank at your local propane refill station.

Minimum line pressure for LP is 11" WC for proper operation.

Maximum line pressure for LP is 14" WC

Transporting and Storing LP Gas

Transport only one cylinder at a time. Ensure the cylinder is secured in an upright position, with the control valve turned off, and the dust cap in place. Store LP cylinders outdoors, away from children and heat sources. Do not store LP cylinders in a building, garage, or any other enclosed area. Place the dust cap on the cylinder valve outlet whenever the cylinder is not in use. Only install the type of dust cap/cover on the cylinder valve outlet that is provided with the cylinder valve. Other types of caps/covers can result in leakage of propane.



Note: The LP cylinder must have an OPD valve installed onto it. The OPD valve is designed to ensure proper overfill protection, this allows for safe operation of the propane fueled equipment, cutting fuel flow if tipped over as well.

OPD valves are mandatory on all 4-40 lbs propane tanks. The OPD valve is normally pre-installed upon purchasing a 20lbs propane tank by the propane tank manufacture.



LP Tank Enclosure



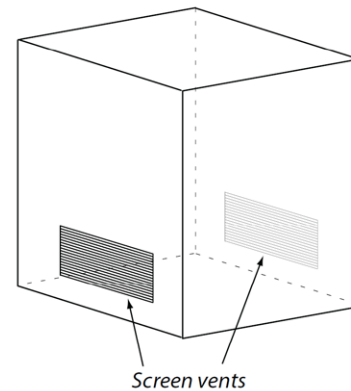
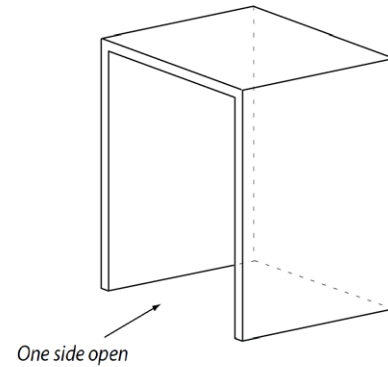
Propane tanks must be placed in a safe enclosure

Cal Flame fire pits are not designed with enclosures for the propane gas cylinder/tank. Please follow these recommended specifications, and follow local codes. Ensure cylinder valves are readily accessible. A door on the enclosure to gain access to the cylinder is acceptable, provided it is non-locking and can be opened without the use of tools.

Enclosures for propane tanks need to be ventilated by openings at the level of the cylinder valve and at floor level. This is accomplished by either having one side of the enclosure opened, or screen vents on the bottom.

The secondary method requires at least two equally sized vents/openings spaced opposite to each other. Openings shall be at floor level and no more than 5 inches above the floor, making sure that the total free area greater than 10 in² (3.2 cm²). Make sure every opening has minimum dimensions to permit the entrance of a 1/8 in (3.2 mm) diameter rod.

There must be a minimum clearance of 2" between the lower surface of the floor, and the propane enclosure.



Natural Gas



NG Service Installation and Connection.

Natural gas installation of this appliance must conform with local codes or, in the absence of local codes, review the national fuel gas code, ANSI Z223.1a-1998. Installation in Canada must be in accordance with the standard CAN/CGA-B149.2, Propane Installation Code.

You do not need to hire a contractor to install your natural gas service, but you need to make sure you have all required permits and ensure the installation complies with State and local code. We recommend you hire a certified contractor, if you do not want to do the installation yourself. It is the responsibility of the owner to ensure proper NG installation. The natural gas pipe from your house to the location of your fireplace needs to be 3/4" and terminate with a shut off valve with a 1/2" male fitting. Check with a contractor or your local inspector for requirements. Always verify the rating plate to ensure the gas supply you are hooking up to is the gas type the fire pit is designed for. Never connect the fireplace to an unregulated gas supply. **All permanently installed natural gas or propane installations require a "T" handle type manual gas valve be installed in the gas supply line in this appliance. This does not apply to portable propane installations using a 20 pound cylinder.**

STATE OF MASSACHUSETTS: Massachusetts requires all gas be installed using a plumber or gas fitter carrying the appropriate Massachusetts license.

Shut off Valve

Ensure that the service supplying the fire pit is fitted with a shut off valve conveniently positioned near the fireplace and giving ease of access.

The fire pit must be isolated from the gas supply piping system by closing its individual manual shutoff valve during any pressure testing of the gas supply piping system at test pressures equal to or less than 0.5 psi (3.5 kPa).



Most cities, counties, states or provinces require permits or for the installation of a fire pit to confirm to certain safety standards, recognized by a local authority,

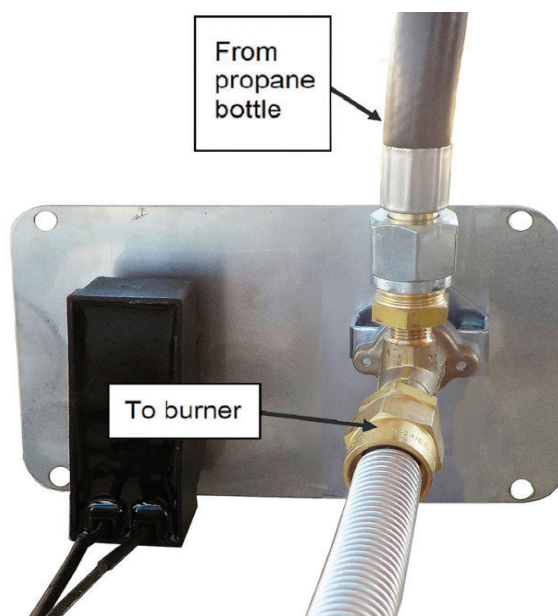
Placement of the Fire Pit

Moving the firepit to its final resting place requires 3-5 people to properly move depending on the size of the model purchased. Never move or shift a firepit by yourself, Cal Flame fire pits can weigh anywhere between 250-550 lb, which is based on the design and the size of the fire pit. It is advised that people assisting in the movement of the fire pit, are comfortable lifting weight of at least 40-60 lbs for a small period of time.

Depending on access to the fire pits final resting place, the use of a crane may be required. Certain installations such as a firepit installed on a 2nd or 3rd floor deck will require a crane to properly deliver. It is the responsibility of the fire pit owner to find an independent crane operator to properly place this fire pit. Cal Flame is not responsible for damages caused by improper delivery of the fire pit.

Connecting the LP Line to the Firepit Burner

The fire pit internal gas line is already connected from the control panel to the burner, obtain the black LP hose with its attached regulator, and feed the hose under the fire pit. Leave the regulator end of the hose sticking, out in order to connect the LP cylinder later.



****Control Panel Color May Vary**

Connecting The Burner to The LP Line



Follow all local codes and regulations that may apply to outdoor decorative fire appliances.



Guidance for the Authorized Gas Installer

All Cal Flame fire pits are shipped from the factory, equipped to burn LP (Liquid Propane) fuel. Cal Flame offers a LP (Liquid Propane) fitting kit that includes orifices, that must be used when the fireplace is plumbed into the control panel valve. To perform the installation, follow the directions provided within the kit, and review the instructions below to safely prepare the unit for the conversion process.

We advise to contact a plumber or a technician, to install and test the new orifice/fittings connected to your burner/control panel for LP use.

1. Make sure the unit is not in operation, and it is cool to the touch. Verify that the LP canister is closed shut.
2. Open the service door underneath for access to plumb the propane orifice fitting into the fire pit burner.
3. Remove the burner from the fire pit and secure the igniter into place, make sure that the gap between the gas burner and the igniter is less than 1/4" of a distance.
4. Use the included instructions within the LP fitting kit to the designated plumber or contractor to complete. Generally speaking the LP orifice fitting kit will appear as shown below. After completion perform a leak test to ensure all fittings/connections are secured.



Always use a paste thread sealer to connect gas fittings, and never use PTFE tape or plumbers tape as a sealing tool/aid as this is no longer considered a safe practice for flared fittings.



Liquid Propane

Perform a leak test at least once a year whether the gas supply cylinder has been disconnected or not. In addition, whenever the gas cylinder is connected to the regulator or whenever any part of the gas system is disconnected or replaced, perform a leak test.

Remember to always test and operate your fire pit outdoors, in a well ventilated space. Never smoke or allow sources of ignition in the area while performing a leak test. Do not use a flame such as a lit match to test for leaks. Prepare a soapy water solution, and place it inside of a spray bottle.

1. Prepare the soapy water solution by mixing 2 parts water and 1 part liquid soap.
2. Make sure the fireplace/pits control knob is in the OFF position.
3. Open the LP gas valve from the cylinder.
4. Apply the soapy solution onto the joints and fittings of the gas line, spray the LP hose to inspect for any cracks or punctures within the LP line if applicable.
5. Stop a leak by tightening a loose joint if the leak is from a joint/fitting, or by replacing the faulty part by the manufacturer. Never attempt to repair a LP cylinder or any LP Regulator.
6. Turn the control knob back to the full OFF position.

IF YOU ARE UNABLE TO STOP A LEAK

1. Turn the control knob back to the full OFF position.
2. Shut off the gas supply to the fireplace from the LP cylinder, and release pressure in the hose and manifold by turning the control valve on quarter turn. (On NG systems, turn the gas valve on the NG line to the off position.
3. If the fire pit is connected to Propane remove the cylinder from the fire pit.
4. Call an authorized gas appliance service technician to inspect and repair the gas line (LP & NG)

Never try to put out or attempt to turn off the LP gas cylinder of a fire pit, that is experiencing out of control flames, contact emergency services.

Do not use the appliance until the unit has been repaired and passes a secondary leak test post-installation.

Fire Pit - Decorative Materials

The log set and crushed lava rocks are shipped together on applicable Cal Flame fireplace & fire-pit models, have special handling instructions.

- The fire logs are fragile, as they are built with heat resistant ceramics and other materials, place them within the fire pit with care.
- Always wear work gloves when handling lava rocks and the fire logs.

Never use decor (logs, stones, etc) that are not rated for fire pit use, as materials within your fire pit are continuously exposed to open flames. Using unapproved materials can lead to a thermal explosion of the material inside of the fire pits, which can cause injury, damage to property, or death. Cal Flame is not responsible for any damages, injury, or fatalities associated with unapproved fireplace accessories/decor. Use of such items/equipment will void your warranty.

Glass Chips (Sold Separately): Cal Flame does not offer glass chips as an option for firepit decor, but when placing glass chips inside your fire pit, it is important to not over pour glass chips over the burner. The burner may be covered with a maximum of 1" (2.54cm) of glass chips, anything more than this will cause flow restrictions and may cause ignition issues. Avoid placing glass chips over the igniter of the burner, this will cause igniting issues.

Lava Rocks: When placing the lava rocks or fire logs in the fire pit, **do not place lava rocks directly on the gas burner**. Placing the lava rocks on the burner directly will cause gas flow issues. Use creative liberty to spread the lava rocks in such a way where the fire pit burner is partially covered. Most commonly, Lava rocks are combined with fire logs for a beautiful presentation.

Fire Logs: When placing fire logs in the fire pit, **do not place fire logs directly on the gas burner**. Placing the lava rocks on the burner will cause gas flow issues. The fire logs are delicate, and must be handled with care

Note: Be sure the unit is cool before touching any of the components.



Never use solid fuels such as wood, charcoal, compressed logs, or other traditional solid fuels. This fire pit is only designed to burn LP or NG fuel.

High Elevation Installations

Cal Flame fireplaces/pits are approved for elevations up to 4,500 feet, in the US and Canada. When installing this appliance in an elevation above 4,500 feet in the US, it may be necessary to decrease the input rating by changing the existing burners orifice to a smaller size. Reducing the input of fuel by 4% for every 1,000 feet above 4,500 feet; Unless the heating value of the gas has been reduced, in which case this general rule will not apply. To identify the proper orifice size, check with your local gas utility or LP supplier.

This Page is Intentionally Blank



CAUTION: Never use solid fuels such as wood, charcoal, compressed logs, or other traditional solid fuels. This fire pit is only designed to burn LP or NG fuel.



Lighting the Fire Pit for the First Time

Upon completion of connecting your fire pit to either natural gas or liquid propane, a small amount of air will be in the gas lines, when first lighting the burner it will take a few seconds for the lines to purge themselves of this air; you may need to activate the igniter several times when first lighting the unit.

Once the purging is complete, the burner will light and operate as intended if all requirements were followed as listed in this manual. Subsequent lighting of the appliance will not require purging unless the gas supply has been disconnected. Inspect the burner before each use of the appliance. If there is any evidence that the burner is damaged, it must be replaced before using the unit.

Never allow the ON/OFF valve to remain in the open position without placing a burning match on top of the burner FIRST. This will make sure that any escaping or residual gas is ignited or burned off.

You must have clear and easy access on the ON/OFF valve AFTER the appliance is installed and connected to the gas supplier in order to safely turn off the burner. Make sure the burner is seated, and installed properly prior to lighting the appliance. If the burner is damaged, install a replacement burner as specified by the manufacturer.

For your Safety, Read Before Lighting



Before operating, inspect the fire pit on all sides, and observe if an odor of gas is detected around the fire pit and near the floor for LP fire pits. LP Gas is heavier than air, and will settle to the floor.



Use only your hand to turn the manual gas control valve. Never use tools. If the valve will not turn by hand, do not try to repair it. Call a qualified service technician for service. Applying force to the dial or attempting a repair may lead to a fire or explosion.



Do not use this appliance if any part has been under water. Immediately call a service technician to inspect the appliance for clogs or damage inside of the fireplace/pit. Replace any part of the control system or any gas valve that has been submerged underwater.



Make sure the igniter battery has been properly installed, the igniter will not operate properly with reverse polarity (backwards battery). We recommend at a minimum interval, to change the AA battery once a year. The lifetime of the battery depends on several factors including but not limited to the type of battery, ambient temperature, humidity, etc. Because of this there is no general expected lifetime of a battery for your fire pit.



****Control Panel Color May Vary**

Lighting Instructions for Automatic Starters

1. Locate the manual gas control valve and igniter button, usually on the perimeter of the fire pit, its highly advised to walk the perimeter of the fire pit and locate the control panel, due to the various placement of the control panel depending on the model of fire pit.
2. Make sure the fuel supply is properly connected and turned on at the source
3. Press the igniter button until you hear the sparking sound from the igniter. While pressing down on the igniter button with confirmation of a spark being released, begin to slowly turn the dial to the full flow position. The fire pit should light within 5 seconds.
Note: if you do not hear a spark, flip or replace the battery behind the igniter button.
4. If a flame does not start within 10 seconds, shut off gas supply and wait five minutes and allow all gas fumes to clear. You may need to adjust/reposition the fire logs or lava rocks from the burner or igniter, and attempt to ignite the burner again. If this does not work, contact a qualified technician for service.

To Turn off Gas

Turn the ON/OFF valve to the off position at the unit for natural gas unit. For propane units turn the ON/OFF valve to the OFF position of the unit, then turn the propane tank valve to the OFF position.

Additional Notes

The propane regulator in this appliance is equipped with a low flow protection device. Unless the propane cylinder valve is opened before the fireplace gas valve, the gas flow will be reduced, resulting in very small flames.

To reset this device, shut off the valve, disconnect the hose from the cylinder to relieve the pressure, then close the propane cylinder valve.

Follow the lighting procedure ensuring the propane cylinder valve is opened before opening the fireplace/pits control panel dial.

General Maintenance

Inspect the appliance before initial use. Clean the appliance at least annually and have it inspected by a qualified service person. Periodically remove the logs and examine the burner, if the burner is dirty, clean it with a soft wire brush. Also examine the area around the burners air shutter, & remove any debris in this area. Performing this maintenance task will ensure the long life of the burner and fireplace/pit.

Periodically check the hose connecting the propane gas cylinder, to ensure it is not damaged. Never use the unit with a damaged LP hose or damaged gas line. NG gas lines must be inspected and serviced by a qualified NG installer only.

Carbon (soot) may build up over time on the surfaces of the logs with heavy use. This is likely to occur with propane gas. Soot may be cleaned off the logs by using a dry nylon bristle brush or a cloth. While cleaning the logs avoid, applying excess pressure or dropping the logs, they are made of heat resistant ceramics and materials that may shatter or crack on impact. Avoid using detergents when cleaning the logs, use of detergents may lead to fading of the logs finish, it is recommended to use warm water instead.

Caution: Never clean the fireplace/pit with an active flame. Do not clean the unit until the it is cool to the touch.



Warning! Proposition 65 Warning: handling the brass material on this product exposes you to lead, a chemical known to the state of California to cause cancer, birth defects and other reproductive harm.

This product and the fuels used to operate the product such as propane and natural gas, and the products of combustion of such fuels can expose you to chemicals including Benzene which is known to the state of California to cause cancer, birth defects, or reproductive harm.

For more information, go to www.P65warnings.ca.gov

	Propane Gas
Max. Input BTU/Hr	55,000
Orifice Size	3.0
Manifold Pressure	10" Water Column
Maximum Gas Supply Pressure	11" Water Column
Maximum Inlet Supply Pressure	13" Water Column
Regulatory Pre-Set	11" Water Column

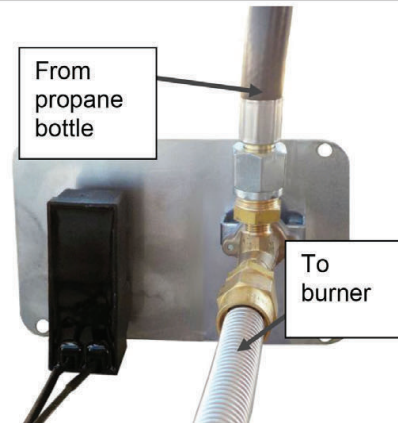
Troubleshooting Fireplace and Fire Pit Igniter **Control Panel Color May Vary



Before you start troubleshooting, make sure the gas valve on your propane tank is closed and the gas valve on the igniter is closed. Wait two minutes for any gas that may have accumulated to dissipate.

1. Check gas line connection.

Check the gas connection. Is it connected as shown in the example at right?



YES.

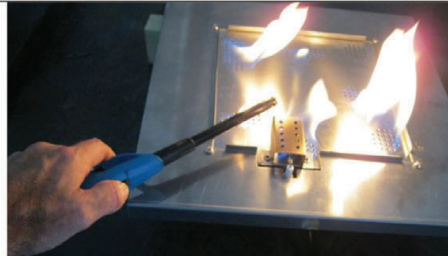
Go to step 2.

NO.

Reconnect the gas line tightly and conduct a leak test. Go to step 2.

2. Make sure the burner ignites.

Open the gas valve on the propane tank. Turn the gas valve on the igniter and listen for the gas. When you can hear the gas, light the burner with a long wooden match or a fireplace lighter. Does the burner ignite?



****Burners Appearance May Vary**



Caution: Only turn the gas dial to the halfway position, when performing any troubleshooting task. Allow up to 10 seconds for gas to dissipate.

**Control Panel Color May Vary

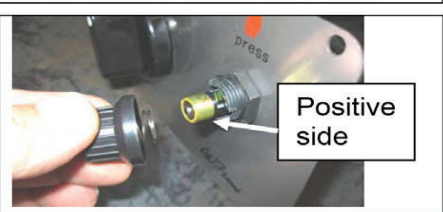
<p>YES. Shut off the gas valve on the igniter. Go to step 3.</p>	<p>NO. Shut off the gas valve on the igniter and wait two minutes for any gas that may have accumulated to dissipate. Repeat until the burner ignites. Do not proceed to step 3 until you can manually light the burner.</p>
---	--

3. Listen for the igniter.
Press and hold the igniter button. Do you hear the igniter?

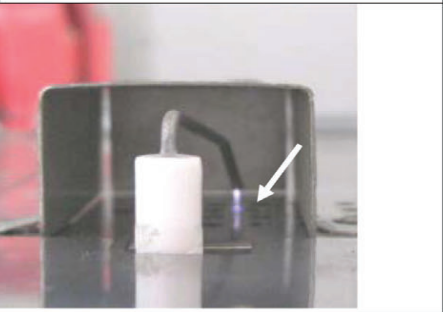


YES.
Go to step 4.

NO.
Make sure you have a fresh AAA battery in the igniter. Make sure it's not backwards.
Go to step 4.

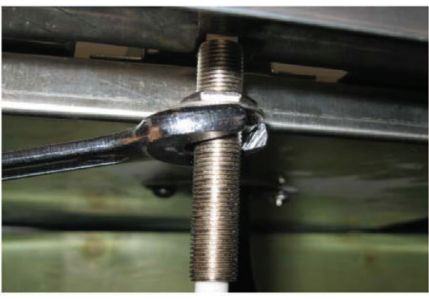
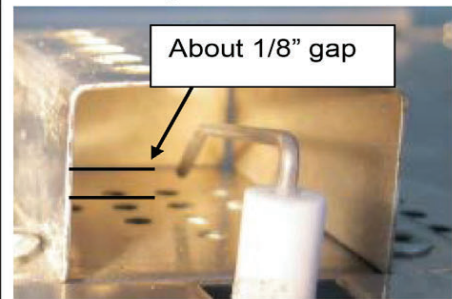


4. Look for a spark.
Press and hold the igniter button. Do you see the spark?



YES.
Go to step 5.

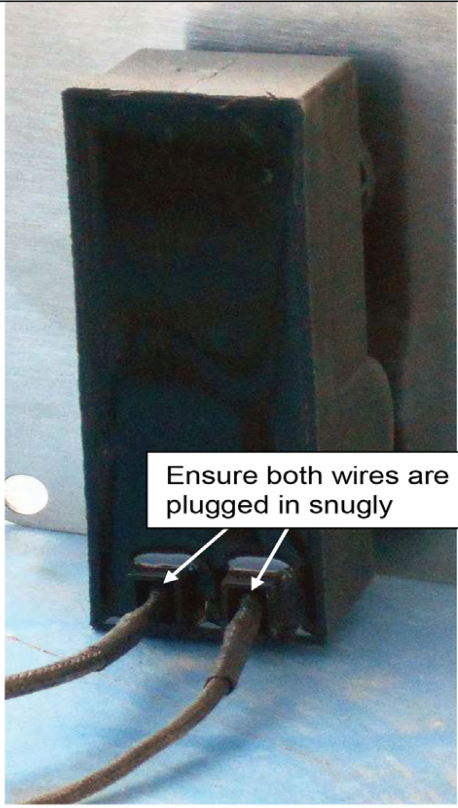
NO.
(1) Check for contact with metal.
Make sure the igniter post is not touching metal. If it is, it will not spark. There must be a minimum 1/8" gap between the tip of the igniter and any metal surface. To adjust the igniter, use a 14mm wrench to adjust the two nuts on the mounting bracket under the burner.



Go to step 5.

**Burners Appearance May Vary

(2) Check igniter wire connections.
Make sure the wires are correctly connected to the igniter terminals. If the connectors aren't connected properly, the spark may be arcing between them. Check the connections and go to step 5.



5. Light the burner with the igniter.
Open the gas valve on the igniter.
Press and hold the igniter button. Did the burner ignite?



YES.
Place the burner in the recess in the fireplace or fire pit.

NO.
Shut off the gas valve on the igniter and wait two minutes for any gas that may have accumulated to dissipate. Repeat steps 3 and 4.

If you are unable to light the burner with the igniter after following these troubleshooting instructions, call Cal Flame customer service at 800-225-7727 for assistance.

Limited Warranty

All Cal Flame models are manufactured with the highest quality appliances and are warranted to be free from defects in material and workmanship at time of delivery.

Direct any warranty issue with your grill via email to customerservice@calflamebbq.com or by phone: (800) 225-7727.

LMS warrants fireplaces & fire pits, including their associated hardware from deterioration, corrosion, and defects in material and workmanship for a period of one year. With the exception of plastic components, which are warranted for a period of 90 days.

Extent of Warranty

This limited warranty is only valid on Cal Flame models delivered in the United States or Canada and extends through the selling dealer to the original purchaser at the original site of installation. This warranty becomes valid at time of delivery and ends either by specified time-frame listed above or upon owner transfer or relocation. This limited warranty is non-transferable in any way, which includes but not limited to, the resale of the unit, inheritance of the unit, or if the unit was obtained with the deed or title of the private residence. This warranty is void if the fire pit is used in a commercial setting, commercial settings introduce hazards and conditions that are not considered, when designing Cal Flame products. Commercial use defined by LMS, the manufacture of Cal Flame includes but is not limited to, Air-bnb, restaurants, rental properties, timeshares, and other commercial uses where the provided good or service is the property itself, or services provided by the operator/owner of the property where the fire pit is installed.

Warranty Performance

In the event of a malfunction or defect covered under the terms of this warranty, contact either the selling dealer, local contractor, or a experienced technician, depending on your needs based on the defect encountered. A contractor qualified to repair stone & tile or a service agent licensed or certified to repair gas equipment should handle any repair work involving the fire pit.

In the event the consumer is unable to obtain satisfactory service from their selling dealer or service agent, contact Cal Flame within 30 days of the reported failure. Proof of purchase and images of the defect must be sent to Cal Flame customer service in order to begin the process of a warranty claim. There is no charge for parts required to perform the repair that are offered by Cal Flame, shipping costs and labor to repair the defect are not covered by this warranty. The servicing agent or contractor may assess a reasonable travel or mileage charge per service visit. If LMS, the manufacture of Cal Flame determines the repair of the covered defect is not feasible, LMS reserves the right to replace the defective merchandise with merchandise equal in value to the original purchase price. Warranty repair and/or replacement are decided by the sole discretion of LMS. This limited warranty does not cover costs of removal, re-installation, or any inspections required by the state, province, city, or regional authority. Cal Flame is not responsible for accidental damage or injuries when installing, removing, or repairing the original unit or replacement unit.

Warranty Limitations

The lava rocks, and/or the fire logs within this unit are not covered by this limited warranty. This warranty is void if the fireplace or firepit has been subject to negligence, alteration, misuse, improper repairs, dings, dents, scratches, or incorrect and/or prohibited applications such as commercial use, as specified in the owner's manual. Gas lines must be installed by a licensed plumber only or local gas company agent. Incorrect installation by unlicensed or persons not qualified to service such equipment will void this limited warranty. Acts of God or Nature such as earthquakes, hurricanes, flooding, or other cases beyond the control of LMS, are not covered by this limited warranty. Please refer to the owner's manual for examples of exclusions and acts invalidating this warranty.

This limited warranty applies only to fireplaces, fire pits, and their associated hardware used for personal, and outdoor household purposes. This warranty does not apply towards or cover costs of labor, diagnostics, or shipping costs of replacement parts and hardware. This limited warranty covers the cost of replacement parts and components, for a period of one year. The cost of plastic components also covered by this warranty for a period of 90 days. This limitation is retroactive and applies to all fireplaces, fire pits, and related hardware manufactured from 2000 and here after.

Examples of common acts invalidating this warranty include but are not limited to:

- Scratches caused by normal use.
- Damage caused by extreme weather conditions (hot, cold, etc.)
- Damage caused by dirt, sand, and/or water damage.
- Damage caused by continued operation of the unit with either known or unknown problems.
- Damage caused by direct sunlight.
- Damage caused as a result of failure to follow the operating instructions as defined in this owner's manual.

This limited warranty applies only to fireplaces & fire pits used for personal, family, or household purposes and specifically excludes rental or commercial applications.

Disclaimers

LMS shall not be liable for loss of use of the unit, its related hardware, or other incidental or consequential costs, expense or damages, which may include, but are not limited to, removal of permanent deck or other custom fixtures or the necessity for crane removal. Any implied warranty shall have duration equal of the applicable warranty stated above. Natural stone, rock, taverline, marble, stucco, etc. May be characterized by dry seam, pits, chips, cracks, and fossils are often filled with grout during installation, these are normal imperfections of a hand crafted product. Such imperfections are not considered defects.

Legal Remedies

This limited warranty gives you specific legal rights. You may have other rights, which may vary from region to region.

Customer Service

For customer service, contact the authorized selling dealer immediately. If you need additional information or assistance, please contact Cal Flame customer service department at 1462 E Ninth St, Pomona CA 91766 or call 1-800-225-7727.

CONTACT INFORMATION

For customer service, please contact your authorized dealer immediately.
If you need additional information and/or assistance, please contact:

Cal Flame

Customer Service Department
1462 East Ninth Street
Pomona, CA 91766
Toll Free: 1-800-225-7727
Fax: 1-909-629-3890

www.calflamebbq.com

Cal Flame[®]



WARNING! Proposition 65 Warning: Handling the brass material on this product exposes you to lead, a chemical known to the State of California to cause cancer, birth defects or other reproductive harm. (Wash hands after handling this product.)

This product and the fuels used to operate this product (propane or natural gas), and the products of combustion of such fuels, can expose you to chemicals including Benzene, which is known to the state of California to cause cancer and birth defects or reproductive harm.

For more information go to www.P65Warnings.ca.gov.